

LD242



Yacht Spreader LED Light

Data sheet - Page 1



Design: Hall Spars Product: LD242

This has been specifically designed for use on yacht spreaders to illuminate the deck or other spreaders below. It is fitted with the latest LED technology and machined from a solid billet of high grade aluminium. This is hard anodised making it resistant to harsh sea environments. The narrow 12 degree beam will light a deck from 9m.

Key Features

- Integral anti-wicking barrier increases protection against moisture ingress due to incorrect IP rated cable connections
- 2 countersunk screws fix the body to the mounting surface
- Hard anodised body for high resistance to sea environments
- Range of beam angles
- 12° beam will light a deck from 9m
- Available with 0-10V, DMX or Dali drivers
- Please specify with long cables to enable connections to be done in a dry location

Specification

Applications						
Beam Angles	12°, 31°, 48°, 36° x 12°					
LED type	1 x Cree XPG2					
Colour temperature	2700K** / 3000K			5000K		
Drive Current (mA)	350	500	700	350	500	700
LED power* (W)	1.2W	1.7W	2.4W	1.2W	1.7W	2.4W
CRI (typical)	93	93	93	75	75	75
Forward voltage (V) ₁₀₀	3.0V	3.2V	3.4V	3.0V	3.2V	3.4V
Delivered lumens** (L ₁₀₀)	90	123	164	109	149	200
Lumens per circuit watt	75	72	68	91	88	83
LED lifetime (to 70% lumen maintenance)	50,000hrs at a max ambient temperature of 35°C (if specifying fitting in ambient temperatures of up to 45°C run at 500mA max, LD242-500)					
Materials	Hard anodised aluminium					
Glass	5mm thick borosilicate					
Wiring	Comes pre-wired with 2 core 100mm lead, can be specified with up to 10m at extra cost					
IP rating	IP68 - Not for permanent submersion (for permanent submersion applications use LD242A)					



*LED wattage includes losses associated with using an 85% efficient driver
 ** 2700K lumen output is 12% lower than the 3000K figure listed
 4000K lumen output is 14% higher than the 3000K figure listed (80 CRI)



LD242



Yacht Spreader LED Light

Data sheet - Page 2

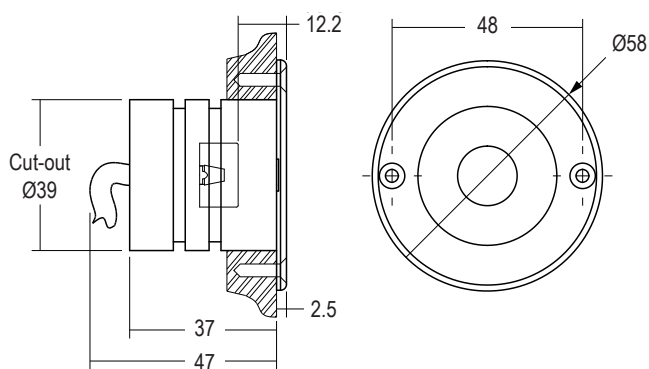
Accessories

/GS - Glare shield (not available with oval beam lens)

An optional glare shield is now available to further reduce glare from the LED and optic. Custom designs can be specified but additional costs will apply. Contact Lightgraphix for more information.



Dimensions



Photometrics

Photometric files are included in the design pack which can be downloaded from the LD242A product page on the website.

Order Codes and Options

Product code	LED colour	Lens angle	Finish
LD242 - 350 - 500 - 700	<input type="text"/>	<input type="text"/>	<input type="text"/>

Example: LD242-700 / LW30 / MB / Hard anodised

Product codes with output options

1.2W LED at 350mA	LD242-350
1.7W LED at 500mA	LD242-500
2.4W LED at 700mA	LD242-700

LED colour options

Super Warm White (2200K)	/LW22
Extra Warm White (2700K)	/LW27
Warm White (3000K)	/LW30
White (4000K) - on request	/LW40
Cool White (5000K)	/LW50
Red	/LR
Blue	/LB
Green	/LG
Amber	/LA

*Other LED colour temperatures are available. Please speak to a member of our sales team.

Beam / lens angle options

12° narrow spot	/NB
31° medium	/MB
48° wide	/WB
36° x 12° oval beam	/OB

Bezel finish

Hard anodised aluminium (Gun metal grey)
 Paint finish black / white (RAL 9016) / RAL

Accessories

Half moon glare shield	/GS
------------------------	-----

Use with 350mA, 500mA and 700mA constant current LED drivers

We have a wide range of dimmable LED drivers, 0-10V, DMX, DALI and Mains dimmable. Please see the downloads section on our website:

To run 1-14 LD242-350 in series use a TXDEL350D (0-10V dimmable)
 To run 1-14 LD242-500 in series use a TXDEL500D (0-10V dimmable)
 To run 1-13 LD242-700 in series use a TXDEL700D (0-10V dimmable)